

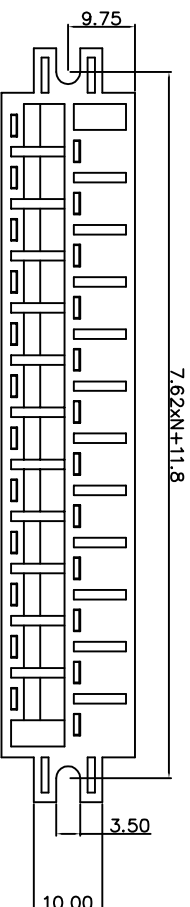
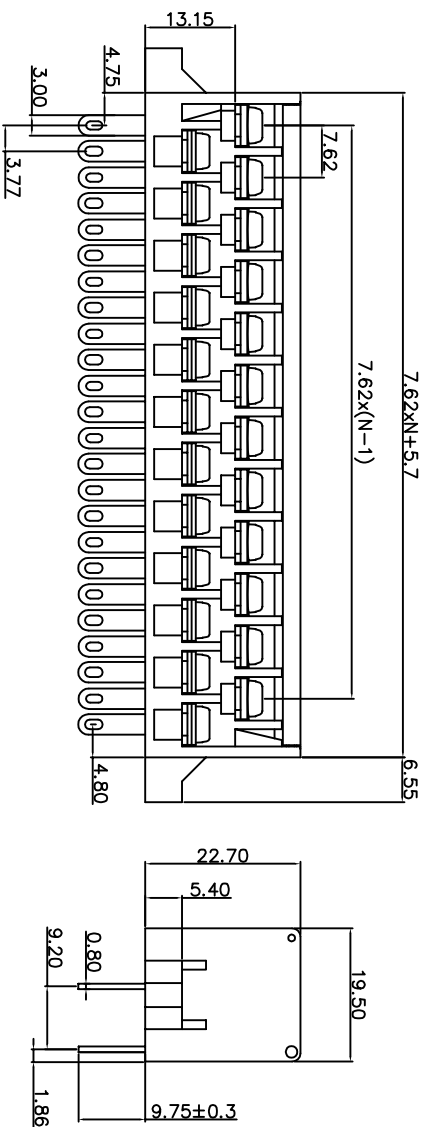
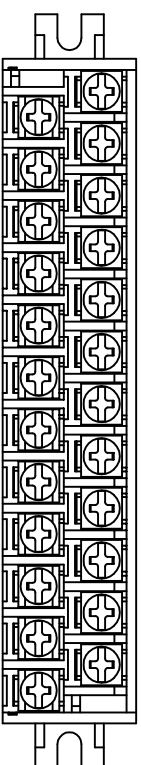
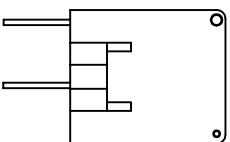
SPECIFICATIONS

Rated(额定参数): 300V,10A
 Dielectric strength(抗电强度): AC2500V/1 Minute
 Insulation Resistance(绝缘电阻):1000MΩ Min
 Contact Resistance(接触电阻)>20mΩ Max
 Impulse Withstand Voltage:3000V
 Screw Torque(扭矩): 7.0Lb.in
 Wire Range(线径):14~22AWG
 Temp. range(操作温度): -40°C~+105°C
 MAX Soldering(瞬时温度)+250°C,5s

Housing Material(塑件): PBT (UL94 V-0)
 Contact(端子): Phosphor bronze,
 Plated/Brass tinned i (黄铜镀锡)
 Screw (螺丝): M3.0, Steel, Ni plating(钢镀镍)
 螺母M3, 钢镀镍

PITCH RANGE IN MM	NOMINAL DIMENSION RANGE					
	OVER IN	OVER MM	OVER IN	OVER MM	OVER IN	OVER MM
TD 6	10	TD 10	30	TD 30	60	TD 60
TD 10	24	TD 24	60	TD 60	100	TD 100
±0.10	±0.15	±0.25	±0.30	±0.30	±0.50	±0.70
						±1.00

IEC 标准	Pollution degree		
	2	2	3
	II	III	III
Overvoltage category	600V		1000V
Rate voltage(V)	600V		1000V
Rate current(A)	24A		



Ordering Information

JL762GM - 762 XX G 0 1

Pitch 762=7.62PH
 No.of pins 2x3P~2x24P
 Housing Color B=Black, G=Green, U=Blue, R=Red, W=White, Y=Yellow, D=Orange, E=Grey
 Packing 0=Pe bag, T=Tube, A=Tray

DRAW	SHUANGPING ZHENG		SCALE	FIT	PART NO.	JL762GM-762XXG01
	CHECK	LICHAD LIU	UNIT	mm		
APPROVE	YONGLIANG GAO		SIZE	A4	TITLE:	JL762GM-2XNPF复合栅栏式端子台/间距7.62黑色/带耳
			SHEET	1/1		
			PRD.J			

JIN 东莞市锦凌电子有限公司
 DONGGUAN JINLING ELECTRONIC CO., LTD