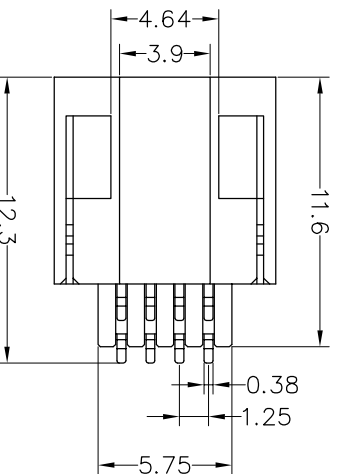
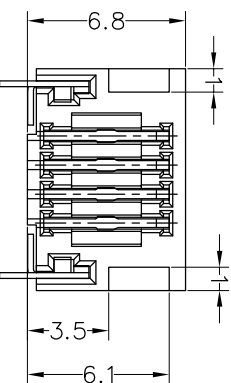
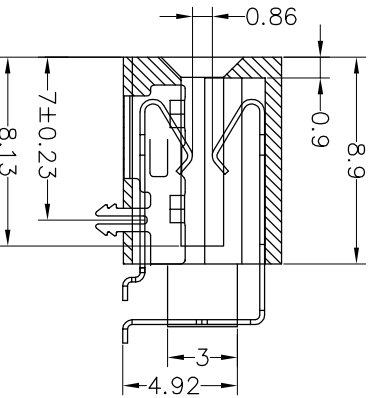
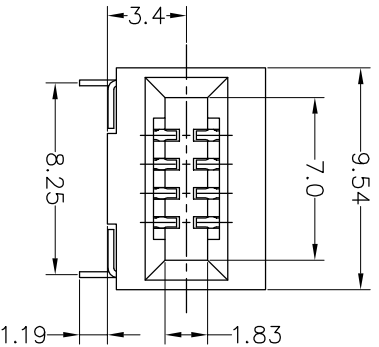


# HSE ROHS

## SPECIFICATIONS

Rated Current:1.0AMP  
 Contact Resistance:20mΩ Max  
 Withstand Voltage:500V AC/DC  
 Insulation Resistance:500MΩ Min  
 Operation Temperature:-40°c to +105°c

Contact Material:Phosphor bronze  
 Hold Down:Beryllium copper  
 Contact Plating:10U" Min Gold in mating area,  
 Tin on Solder Tail all Over nickel  
 Hold Down:Tin on all over nickel  
 Insulator Material:Polyester(UL94V-0)  
 Standard: PA46,Color:Black  
 Max.Processing Temp: 230°C for 30-60 seconds  
 260°C for 10 seconds



## Ordering Information

4500- 2 04 Z S4 D B R 01

No. of Pins  
2x4Pin

Contact Plating  
 G0:Gold Flash  
 G1:1U" Gold  
 G3:3U" Gold  
 G4:5U" Gold  
 G5:10U" Gold  
 S0:Gold Flash/Tin  
 S4:10U" Gold/Tin

REV	DATE	MODIFICATION DESCRIPTION	CHANGE	OPERATION		DRAW	Ben	16.10.28	SCALE	FIT	PART NO.	TITLE:
				Angle	TOL							
A0	2016.10.28	NEW DRAWING		X.X	±0.30	CHECK			mm	A4	4500-204ZS4DBR01	1.25mm金手指连接器 2X4P 90° SMT 带鱼叉
1				X.XX	±0.20							
				X:XXX	±0.10					1/1		

**JINL**®

Tel: 86-755-2997-5806/5802

Fax: 86-755-2997-5992

深圳市锦凌电子有限公司  
 SHENZHEN JINLING ELECTRONIC CO.,LTD